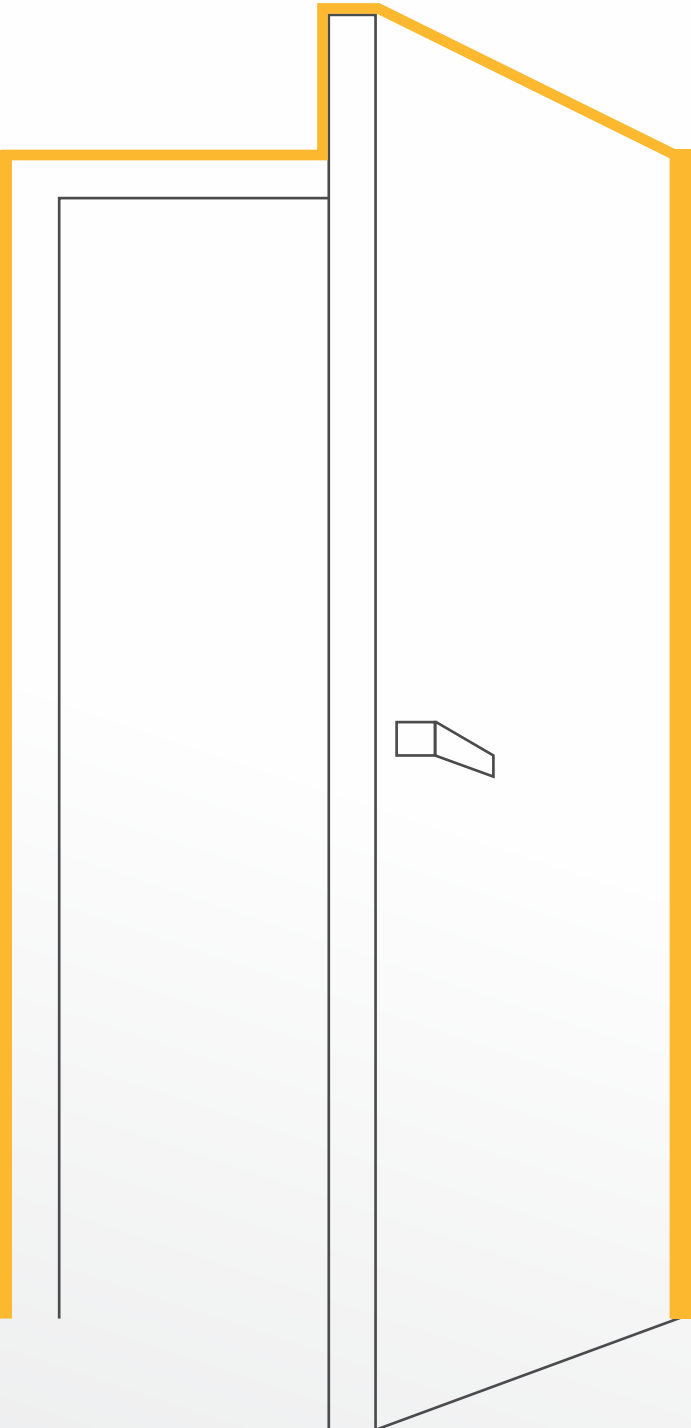


Hardware & Accessories for
**uPVC & Aluminium Doors,
Windows & Curtain Walls**

www.mccoy8m.in | 8010-434-434



**Casement Door Handle for CD Espag with
Integrated Lock – McCoy MPH-1**

Casement Door Handle for CD Espag with Integrated Lock – McCoy MPH-1

Highlights:

- A Multi-Point Locking Handle for Outward as well as Inward opening PVC-U Doors.
- A bold and stylishly L Shaped Aluminium Zinc Alloy Die Cast Body.
- Suitable for most PVC-U profiles.
- Ergonomic design with finger grip ridges makes for easy operation with lesser effort.
- Body made from the new family of Zinc-Aluminium based Die Casting Materials containing higher Aluminium than standard Zinc alloys characterized by high Strength and Hardness and good Bearing properties.
- Total height of the handle 54.5mm.
- Total length of the operating lever of the handle is 127mm.
- The Base Width of the handle is 35mm.
- The maximum admissible profile width is 62mm.
- Spindle Cross Section is 8mm (+0.0/-0.1mm.) x 116mm. long.
- Spindle to Locking Cylinder Hole Centre Distance is 85mm.
- Standard package includes 2 nos. Fixing Screws M4 x 80mm. long and 2 nos. Screw Caps.
- Available in White or Black Powder Coating finish.
- Coating thickness of 90 Microns.
- 24x7 Technical Support.
- Guaranteed for 10 years
- Packing size 40 per box.



Remark: The directives contained in this documentation are the result of our experiments and of our experience and have been submitted in good faith. Because of the diversity of the materials and substrates and the great number of possible applications which are out of our control, we cannot accept any responsibility for the results obtained. In every case it is recommended to carry out preliminary experiments.

McCoy Silicones Limited

(Facade & Fenestration Division)

C-55, Okhla Industrial Area, Phase-1, New Delhi-110020

Tel: +91-11-40623344 | Fax: +91-11-40623355

info@mccoy8m.in | 8010-434-434
mccoygroup.in | mccoy8m.in

Certification

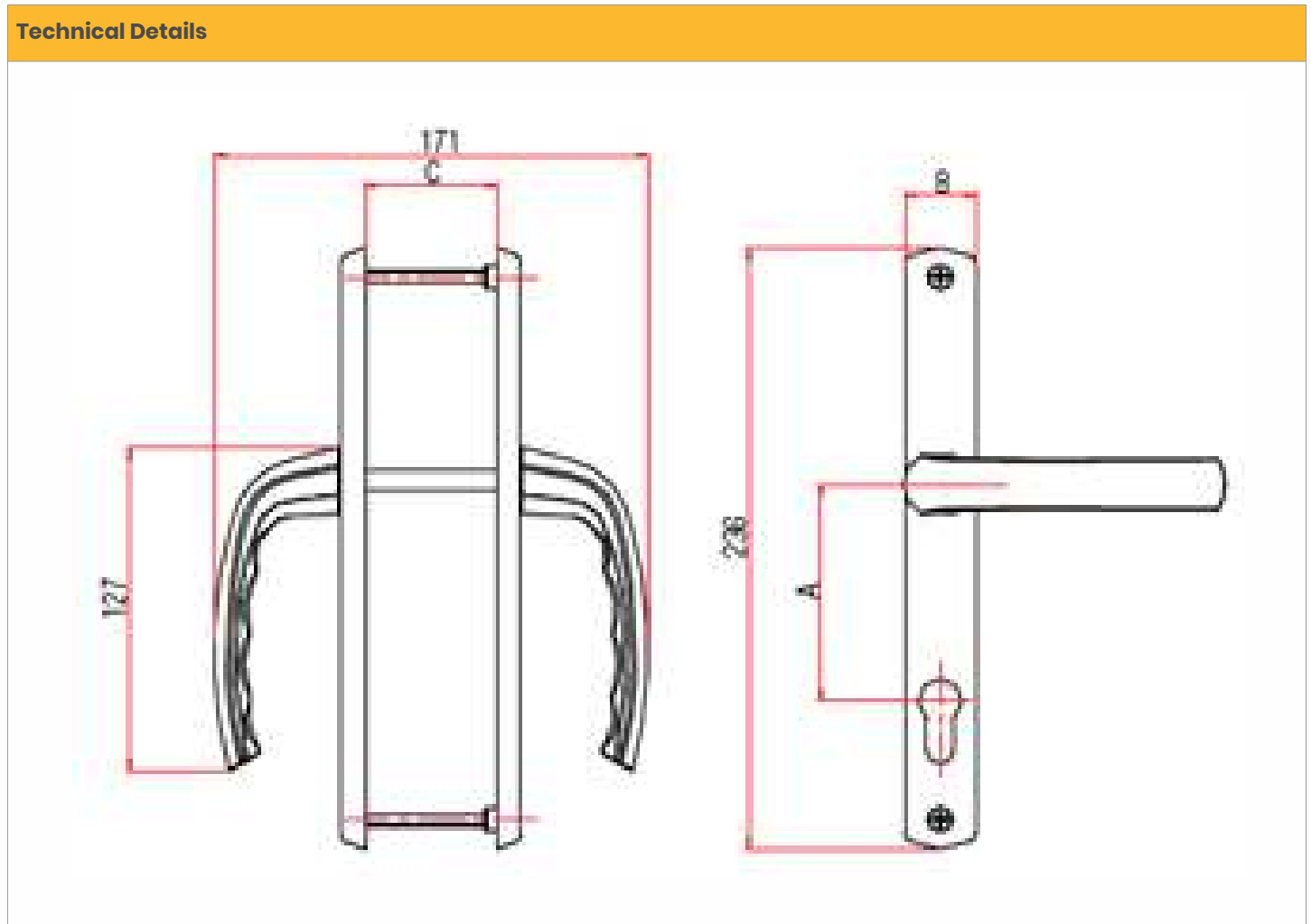


McCoy Soudal is proud to be associated with:



M
A **McCoy Group Company**

Feature	Advantage	Benefit
Coating thickness 90µm	Colour does not fade / come off due to weather conditions or repeated gripping by hand.	Longer service life.
Base width 35mm.	Can be used for outward as well as Inward opening doors.	Suitable for use with most profiles.
A bold and stylishly L Shaped Handle Lever Ergonomically designed with finger grip ridges.	Lesser effort required for operating.	Easy to operate.



Remark: The directives contained in this documentation are the result of our experiments and of our experience and have been submitted in good faith. Because of the diversity of the materials and substrates and the great number of possible applications which are out of our control, we cannot accept any responsibility for the results obtained. In every case it is recommended to carry out preliminary experiments.

WELCOME TO THE WORLD OF TECHNOLOGY

MCCOY PARTNER SELF SERVICE (PSS) APP



- ✓ Quick order
- ✓ Check order status
- ✓ Check account
- ✓ Loyalty rewards
- ✓ Product videos etc..

Download Now



Products available online on
mccoymart.com

www.mccoy8m.in ☎ +91-8010434434

Remark: The directives contained in this documentation are the result of our experiments and of our experience and have been submitted in good faith. Because of the diversity of the materials and substrates and the great number of possible applications which are out of our control, we cannot accept any responsibility for the results obtained. In every case it is recommended to carry out preliminary experiments.

McCoy Silicones Limited

(Facade & Fenestration Division)

C-55, Okhla Industrial Area, Phase-1, New Delhi-110020

Tel: +91-11-40623344 | Fax: +91-11-40623355

info@mccoy8m.in | 8010-434-434
mccoygroup.in | mccoy8m.in

Certification



McCoy Soudal is proud to be associated with:



M
A McCoy Group Company