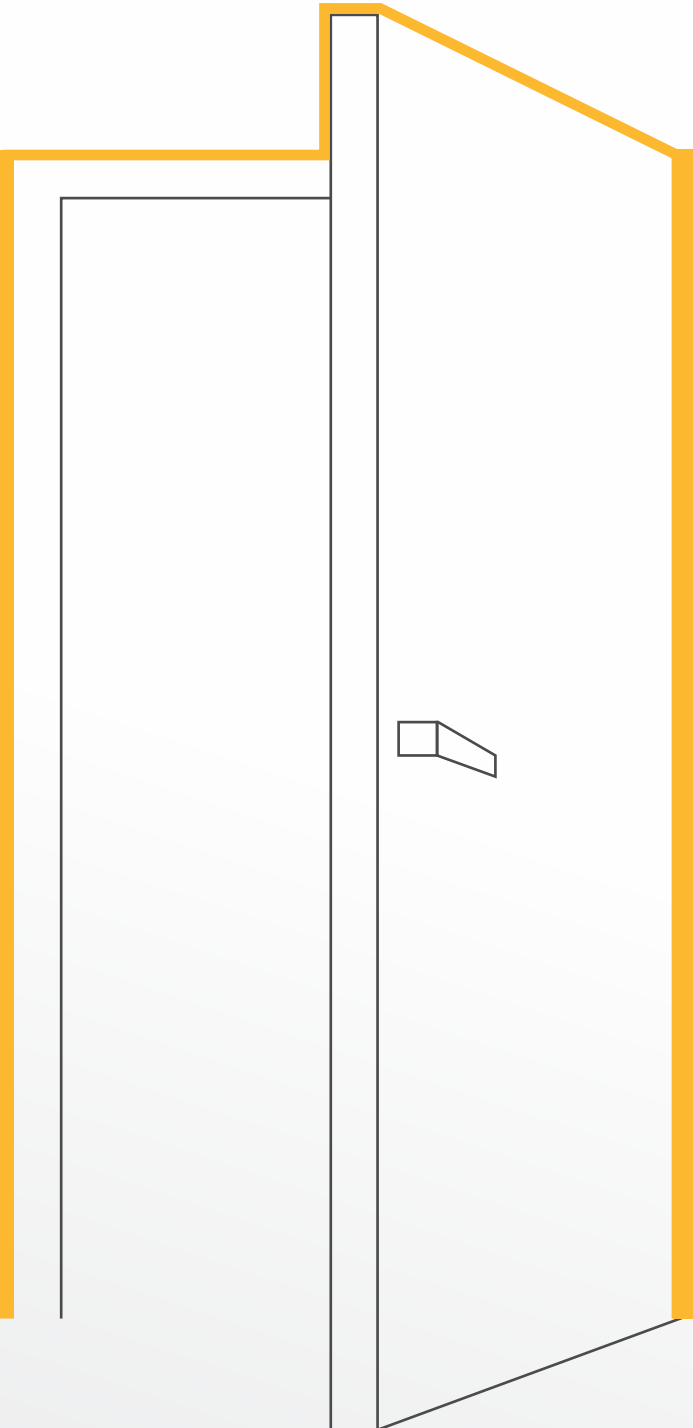


Hardware & Accessories for
**uPVC & Aluminium Doors,
Windows & Curtain Walls**

www.mccoy8m.in | 8010-434-434



**Single Point Locking Handle Touch Lock for
PVC-U Sliding Windows - McCoy TL-2**

Single Point Locking Handle Touch Lock for PVC-U Sliding Windows – McCoy TL-2

Highlights:

- A Single Point Locking Handle for Sliding PVC-U Windows Touch Lock with SS Hook.
- A stylishly shaped Aluminium Zinc Alloy Die Cast Body with ribbed finger place area.
- Suitable for most PVC-U profiles.
- Ergonomic design and easy to operate with lesser effort.
- Body made from the new family of Zinc-Aluminium based Die Casting Materials containing higher Aluminium than standard Zinc alloys characterized by high Strength and Hardness and good Bearing properties.
- Handle is installed flush with the PVC-U Profile surface. Total depth of the body of handle going inside the profile is 20mm.
- Total length of the handle 146mm.
- The Width of the handle is 24mm.
- Standard package includes 1 nos. SS Hook
- Available in White or Black Powder Coating finish. Other colours available on request.
- Coating thickness of 90 Microns.
- 24x7 Technical Support.
- Guaranteed for 10 years
- Packing size 200 per box.



Remark: The directives contained in this documentation are the result of our experiments and of our experience and have been submitted in good faith. Because of the diversity of the materials and substrates and the great number of possible applications which are out of our control, we cannot accept any responsibility for the results obtained. In every case it is recommended to carry out preliminary experiments.

McCoy Silicones Limited

(Facade & Fenestration Division)

C-55, Okhla Industrial Area, Phase-1, New Delhi-110020

Tel: +91-11-40623344 | Fax: +91-11-40623355

info@mccoy8m.in | 8010-434-434
mccoygroup.in | mccoy8m.in

Certification



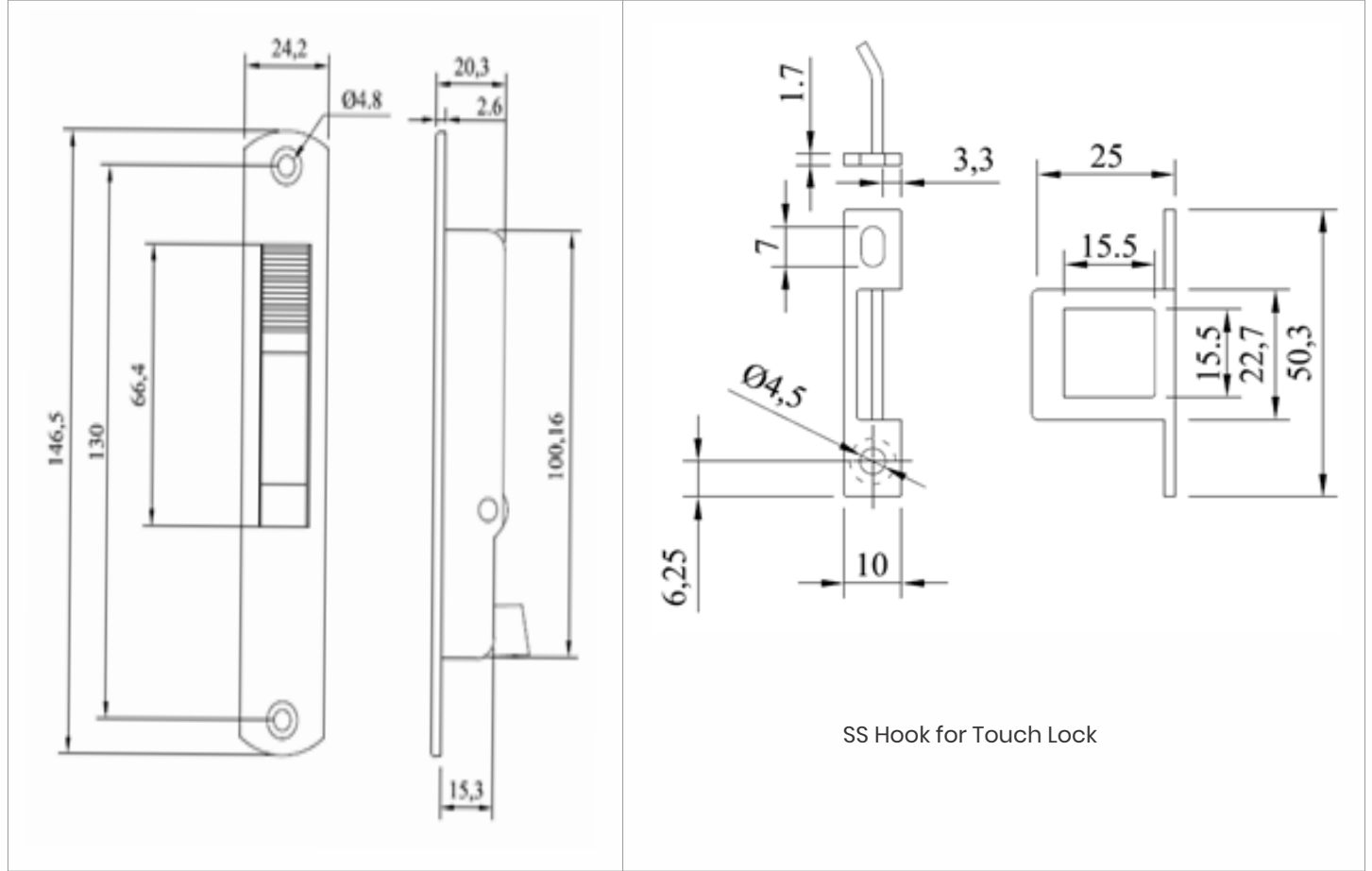
McCoy Soudal is proud to be associated with:



M
A McCoy Group Company

Feature	Advantage	Benefit
Coating thickness 90 µm	Colour does not fade / come off due to weather conditions or repeated gripping by hand.	Longer service life.
Ribbed Finger Place area	Enables better grip and prevents finger slipping while opening	Easy to operate.

Technical Details



Remark: The directives contained in this documentation are the result of our experiments and of our experience and have been submitted in good faith. Because of the diversity of the materials and substrates and the great number of possible applications which are out of our control, we cannot accept any responsibility for the results obtained. In every case it is recommended to carry out preliminary experiments.

WELCOME TO THE WORLD OF TECHNOLOGY
MCCOY PARTNER SELF SERVICE (PSS) APP



- ✓ Quick order
- ✓ Check order status
- ✓ Check account
- ✓ Loyalty rewards
- ✓ Product videos etc..

Download Now



Products available online on
mccoymart.com

www.mccoy8m.in ☎ +91-8010434434

Remark: The directives contained in this documentation are the result of our experiments and of our experience and have been submitted in good faith. Because of the diversity of the materials and substrates and the great number of possible applications which are out of our control, we cannot accept any responsibility for the results obtained. In every case it is recommended to carry out preliminary experiments.

McCoy Silicones Limited

(Facade & Fenestration Division)

C-55, Okhla Industrial Area, Phase-1, New Delhi-110020

Tel: +91-11-40623344 | Fax: +91-11-40623355

info@mccoy8m.in | 8010-434-434

mccoygroup.in | mccoy8m.in

Certification



McCoy Soudal is proud to be associated with:



M
A **McCoy Group Company**